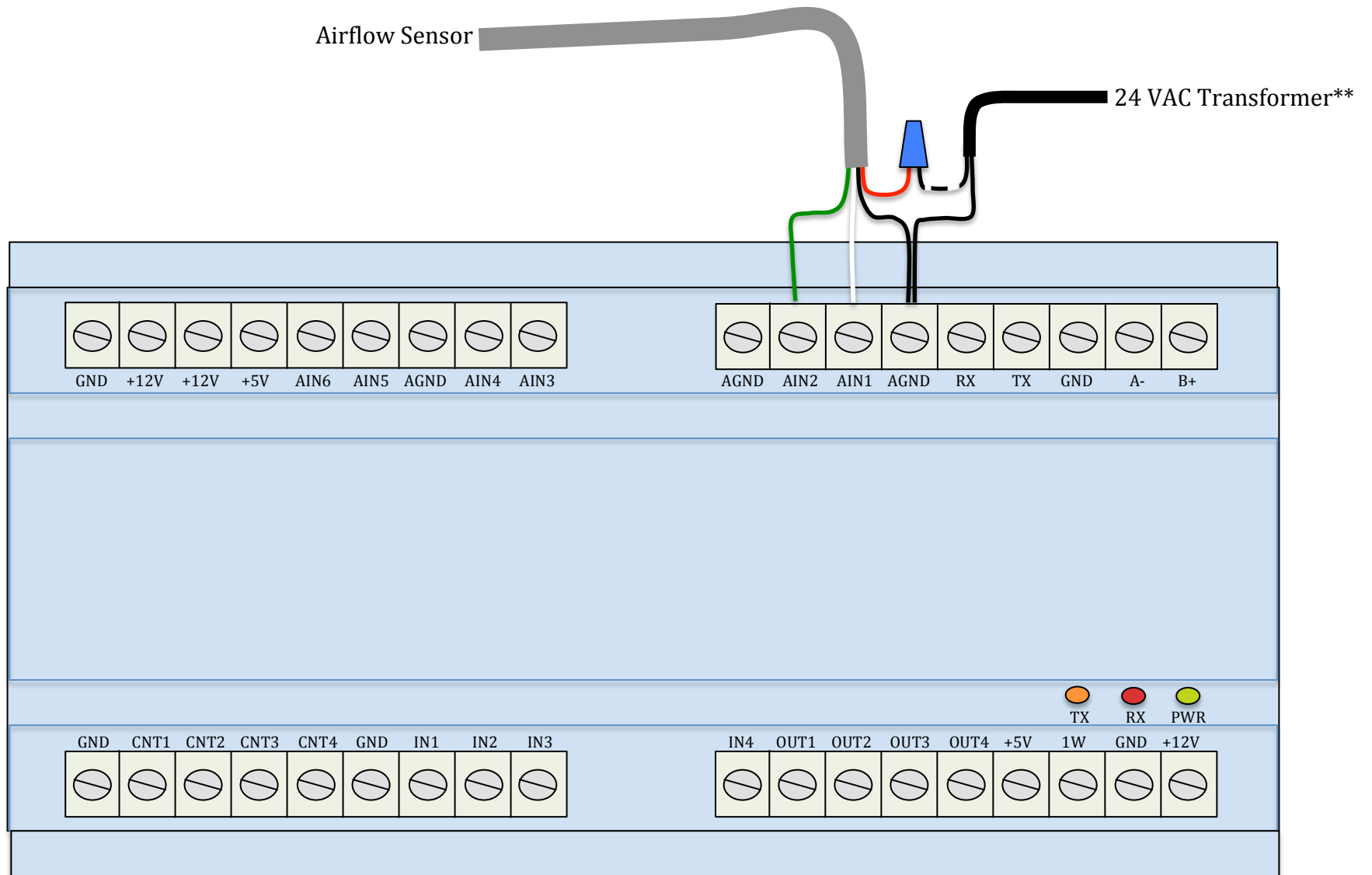


# PowerWise Systems inDAC Wiring Diagram

## Airflow Sensor w/Flow & Temperature output



\*\* - 24VAC common must be shared with ground in order to not damage inDAC & airflow sensor.