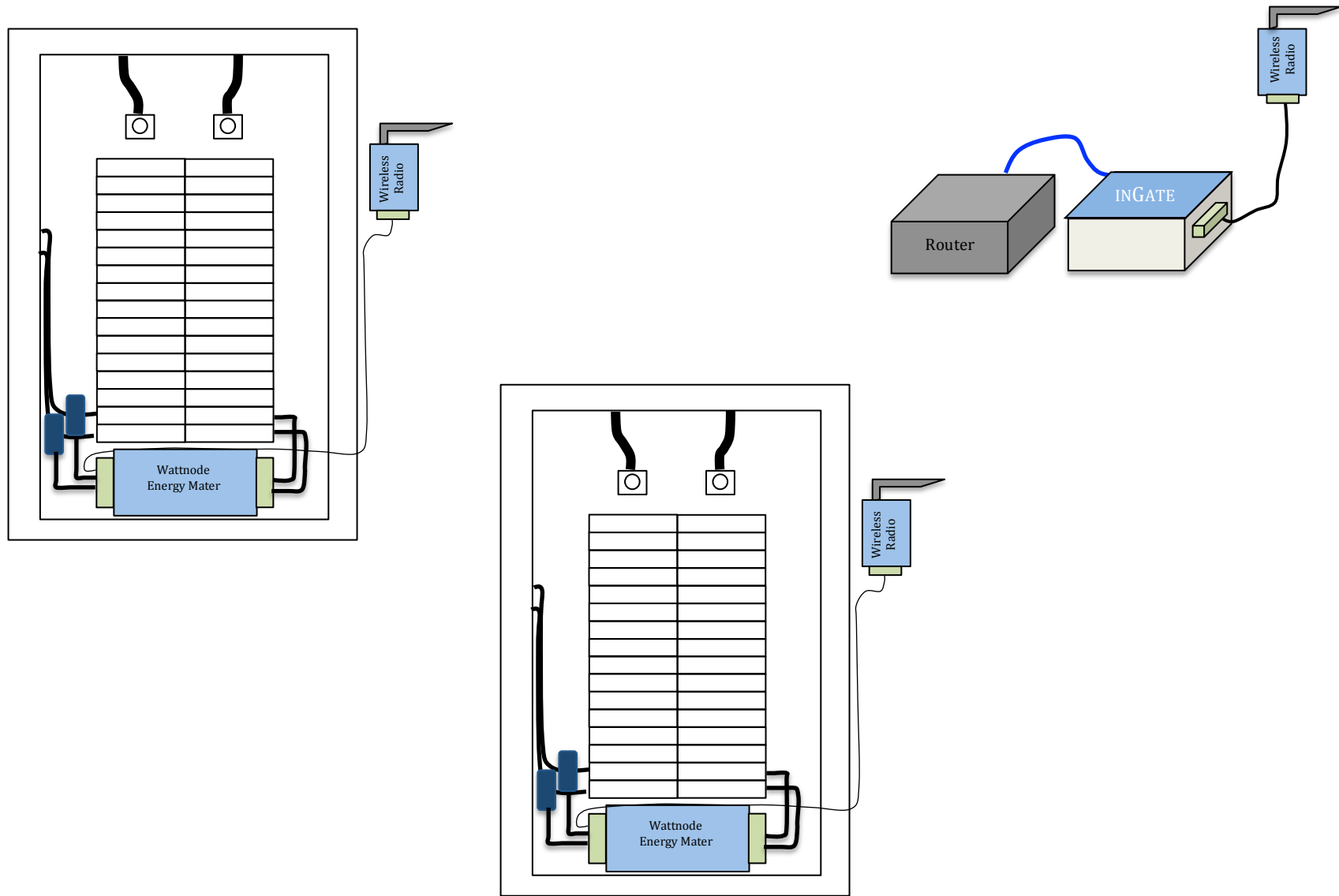


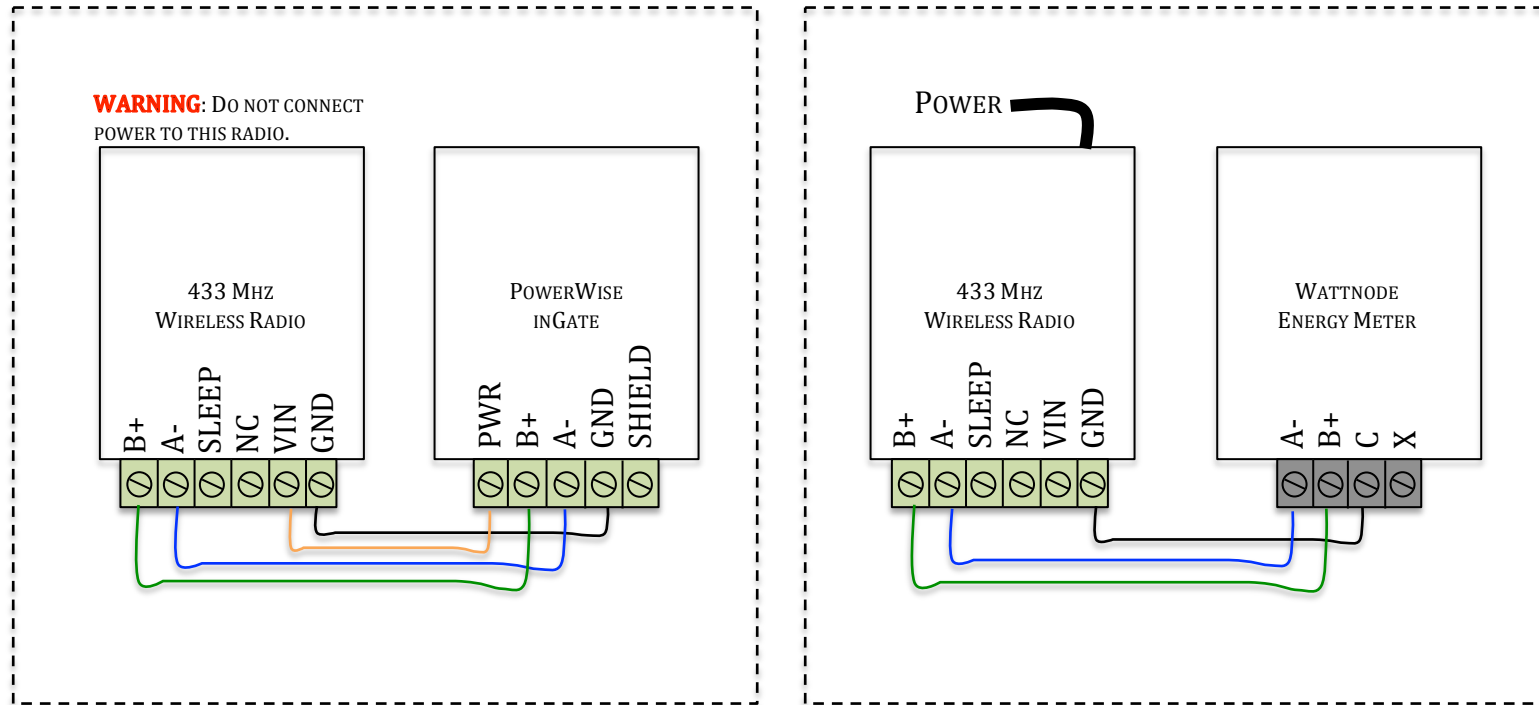
# POWERWISE SYSTEMS HARDWARE DIAGRAM

## INGATE – WATTNODE LAYOUT 1.0



# POWERWISE SYSTEMS HARDWARE DIAGRAM

## INGate – WATTNODE WIRING DIAGRAM 1.0



(1x) inGate can handle (8x) 433 Mhz wireless radio/Wattnode nodes.