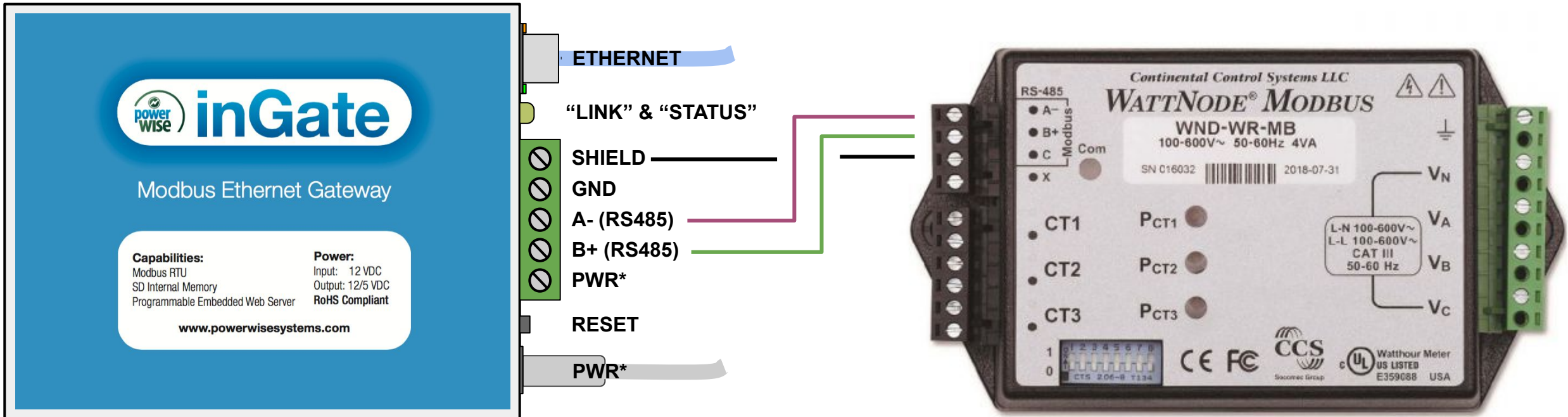


# PowerWise Systems Hardware Diagram

## inGate - Wattnode Wide Range Wiring 1.0



\* DC power terminals are interconnected. Do not connect to multiple power sources.